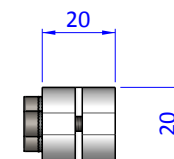
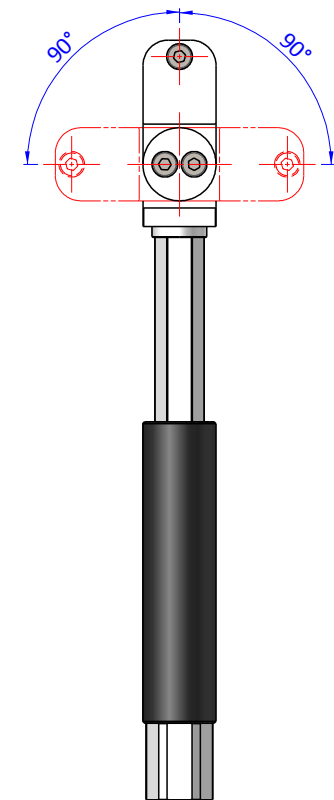
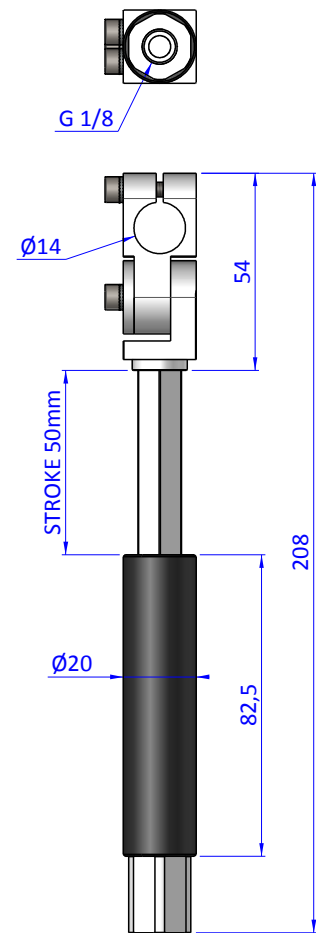
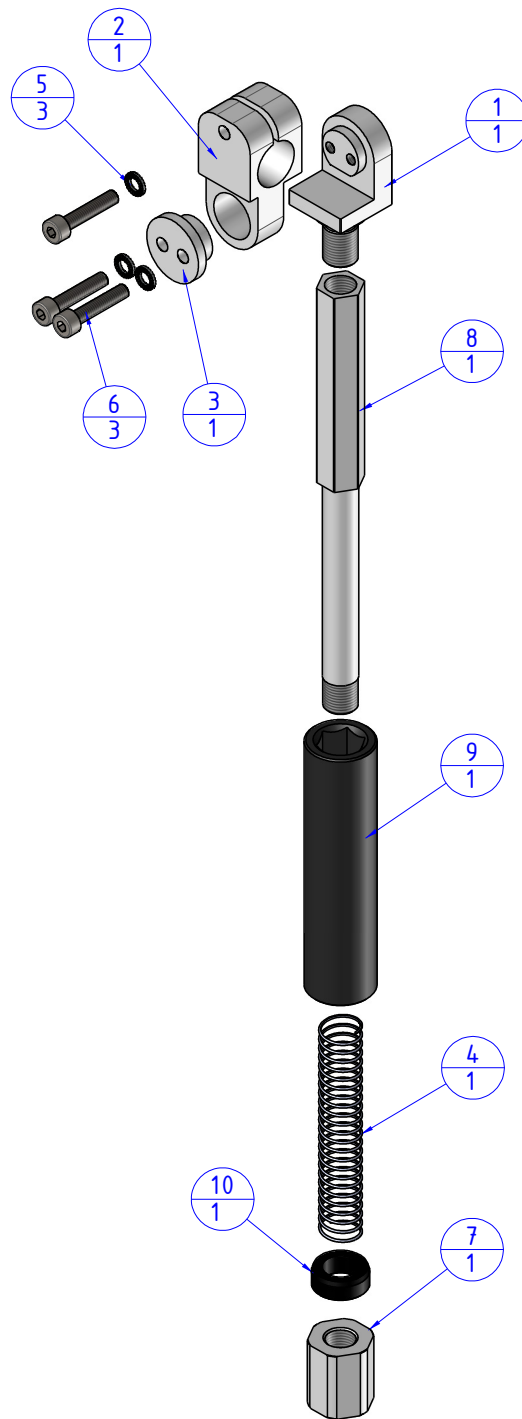


THE PROPERTY OF THE DRAWING IS ESTABLISHED BY LAW. IT IS FORBIDDEN TO PRODUCE OR SHOW IT TO THIRD PART. WITHOUT A WRITTEN AGREEMENT.

Object Number	Name	QTY
1	GRZ.202514.1	1
2	GVR.14.2	1
3	GVR.14.3	1
4	M.12X81.5	1
5	R.4.SCH	3
6	V.TCE4X20	3
7	VSN.20.1	1
8	VSN.2050.4	1
9	VSN.2050.2.1	1
10	VSN.2050.3	1



Format A3

UNI 936-76

		DESIGNED FROM	REVIEW
		FP SERVICES	A
GENERAL TOLERANCE	DESCRIPTION	DATE	WEIGHT
UNI - ISO 2768	CA.SMN.205014	07/02/2019	0,115kg
CLASSE f		CODE	CA.SMN.205014